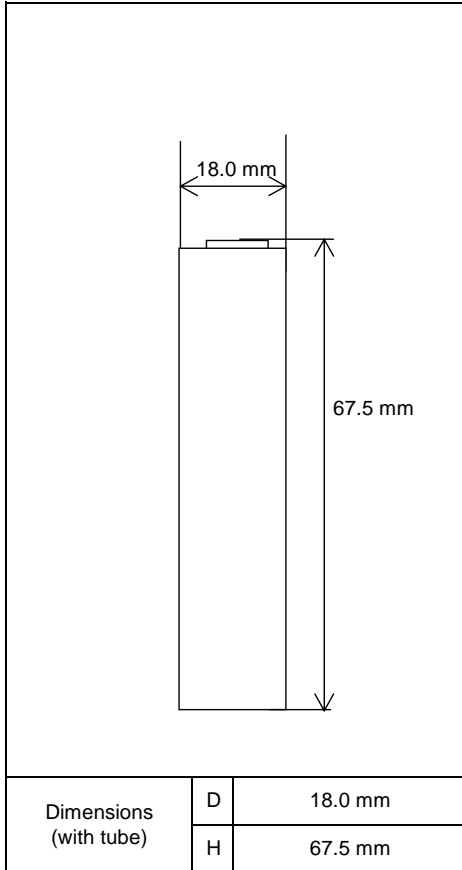


### Specifications

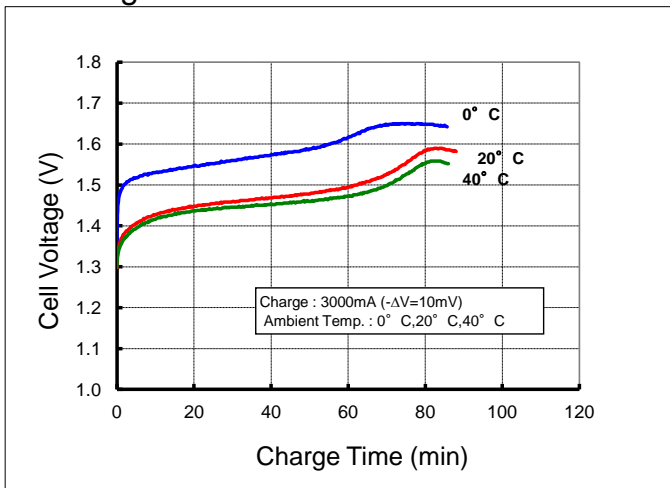


|  |                           |                           |              |
|--|---------------------------|---------------------------|--------------|
| Type : Nickel-Metal Hydride Battery                                |                           | Size : 4/3FA              |              |
| Capacity <sup>1)</sup>   | Typical                   | 4500mAh                   |              |
|  | Minimum                   | 4100mAh                   |              |
| Nominal Voltage  |                           | 1.2V                      |              |
| Charging Current x Time  | Fast Charge <sup>2)</sup> | 3000mA x about 1.6h       |              |
| Ambient Temp.  | Charge Condition          | Fast Charge <sup>2)</sup> |              |
|  | Discharge Condition       | 0°C - 50°C                |              |
|  | Storage Condition         | Less than 30days          | -20°C - 50°C |
|  |                           | Less than 90days          | -20°C - 40°C |
| Less than 1year  |                           | -20°C - 30°C              |              |
| Internal Impedance <sup>3)</sup><br>(after discharge to E.V.=1.0V) |                           | Approx. 20mΩ(at 1000Hz)   |              |
| Weight <sup>4)</sup>   |                           | Approx. 59 g              |              |
| Size <sup>4)</sup> : (Diameter) x (Height)                         |                           | 18.0(D) x 67.5(H) mm      |              |

- 1) Single cell capacity under the following condition.  
Charge : 450mA x 16h, Discharge : 900mA (E.V.=1.0V) at 20°C
- 2) Use recommended charging system.
- 3) After a few charge and discharge cycles under the above 1) condition.
- 4) With tube.

### Typical Characteristics

#### Charge



#### Discharge

