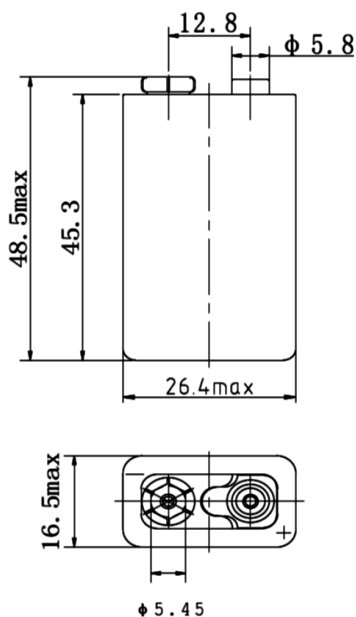




Ni-MH "Ready to Use" Rechargeable Battery 9V HR22 250 mAh



Designation:	HR22
Nominal voltage:	8.4V
Designed capacity:	250 mAh
Typical capacity:	200 mAh (IEC 61951-2, 7.3.2)
Cycle life:	>500 according to IEC standard
Standard charge:	20 mA / 16 h
Weight:	35 g
Dimensions:	48.5 x 26.4 mm
Temperature ranges:	long-term storage: -20..35°C application/discharge: -20..50°C charge: 0..45°C

Discharge characteristics (load 0.2C – 50 mA):

Voltage (V)

